

# VisionArt® Trio Installation Instructions

## Surface Mount Installation

### Packing List:

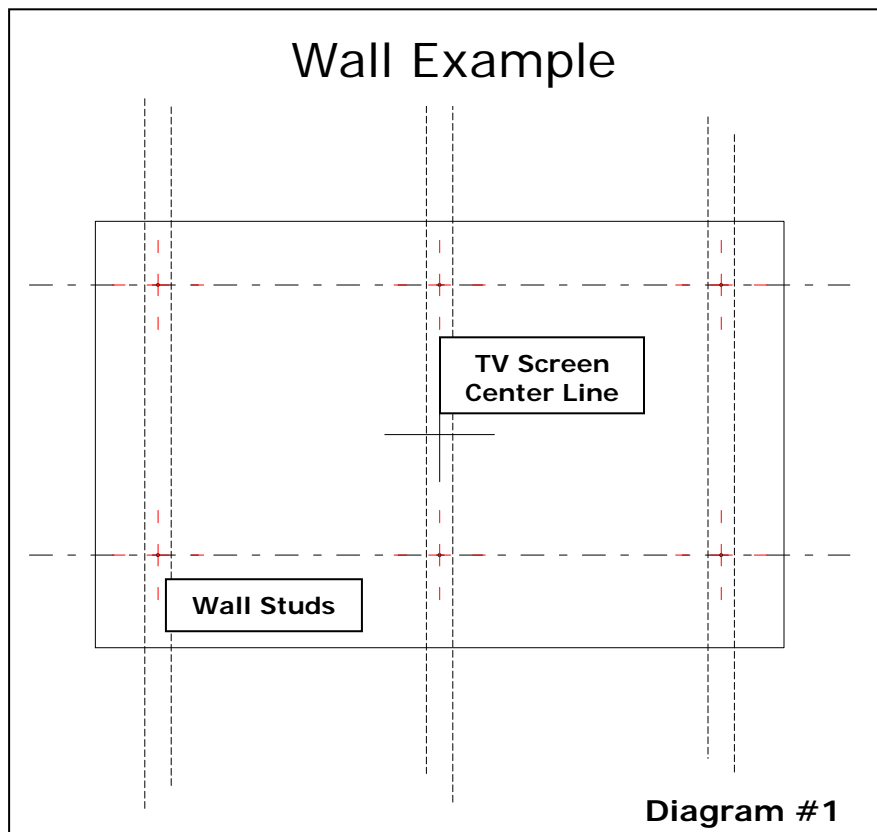
- 1) Mounting Bracket (1)
- 2) Screws (4) M7 x 70
- 3) Handheld TV Remote
- 4) Latex Gloves

### Tools for Installation:

- |                 |                      |
|-----------------|----------------------|
| 1) Tape Measure | 5) Awl               |
| 2) Level        | 6) M4 Allen Head Bit |
| 3) Pencil       | 7) Stud finder       |
| 4) Power drill  |                      |

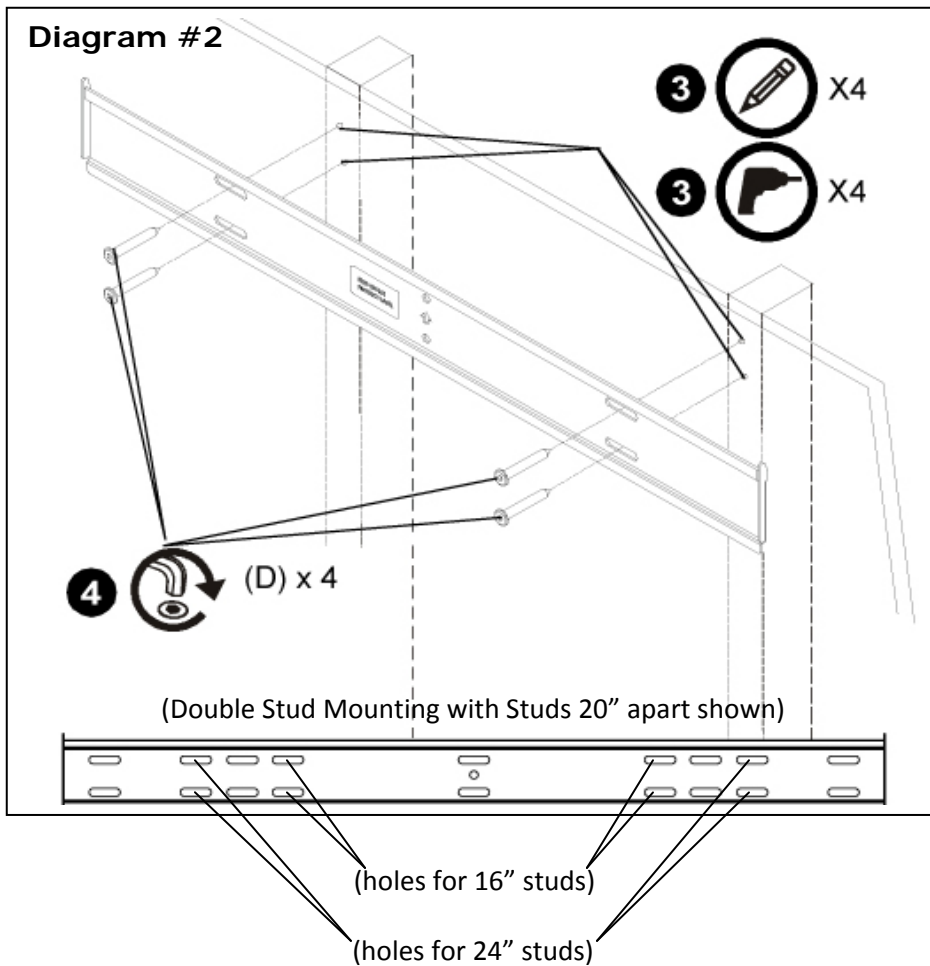
### Helpful Hint:

- 1) Install a "Clock Outlet" in the wall behind where VisionArt will be located for Power Supply and install an AV junction box– this will reduce overall plug depth and allow VisionArt to be flush surface mounted to wall. Refer to **Diagram 3** for locations.



### **STEP 1:**

- Select installation location on the wall.
- Locate Studs in wall, mark them with pencil.
- Establish TV Screen Center Line on wall, See **Diagram #1**.



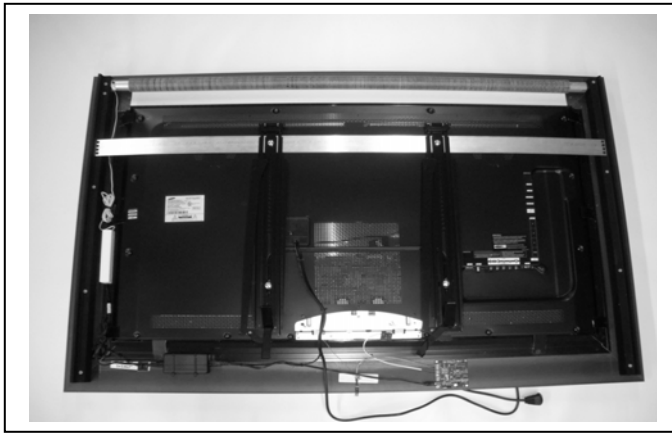
### STEP 2: Diagram 2

- Using TV Screen Center Line determine location for mount keeping in mind display size and safety requirements.
- Use stud finder to locate studs. Wall plate can be mounted on studs either 16", 20" or 24" apart for double-stud mounting, for triple stud mounting, studs must be 16" apart.
- Using wall plate as template, mark and then drill four or six (for triple stud mounting) 3/16" diameter pilot holes through mounting surface, making sure the holes are centered in the middle of each stud. Holes must be drilled at least 2-1/4" deep.

### STEP 3:

- Install four or six connector screws (D) through wall plate and into pilot holes using M4 Allen Head Bit.
- Align mounting brackets with center marks and secure brackets to wall with 4 screws provided.

**Note: Minimum 1" screw penetration required into wood stud.**



#### **STEP 4:**

- Plug in power supply, and connect all A/V cables from wall to back of the TV.



#### **STEP 5:**

- Lift TV up straight – This is a 2 Person Lift. Slide unit onto mounting bracket. Test to ensure installation is secure on the wall and brackets are engaged.



#### **STEP 6:**

**Note: VisionArt is shipped with art retracted.**

- Using Samsung remote provided select power button to turn TV on, note short delay.
- Set TV settings per manufacturer's instructions.
- Using handheld remote press the down arrow, the art will close and conceal the TV.
- Turn power off on Samsung remote, then using handheld remote press the up arrow and the art will retract and expose the TV.

# VisionArt TRIO J-Box Locations

